

Filtration of liquids using the BFH-SS-02 is a simple process. The liquid to be filtered enters at the top of the vessel, passes through the filter bag which is supported by a stainless steel restrainer basket and exits at the base. Particles are trapped on the inside surface of the filter bag. Bag change-out is straightforward – turning off the liquid flow to the vessel, relieving internal pressure via the vent valve and undoing the swing bolts that secure the lid. The filter bag containing trapped particles is removed for washing or disposal depending on the bag type.

Filter bags are manufactured from a range of materials for various applications, and are available in a micron rating range of 0.5 to 800. Nylon monofilament bags can be washed for reuse a number of times, whereas polyester or polypropylene needle felt bags are designed and priced as disposable items. The BFH-SS-02 housing can also be used for coarse filtration at 3000 micron by using the stainless steel restrainer basket with no filter bag.



BFH-SS-02 Bag Filter Housing

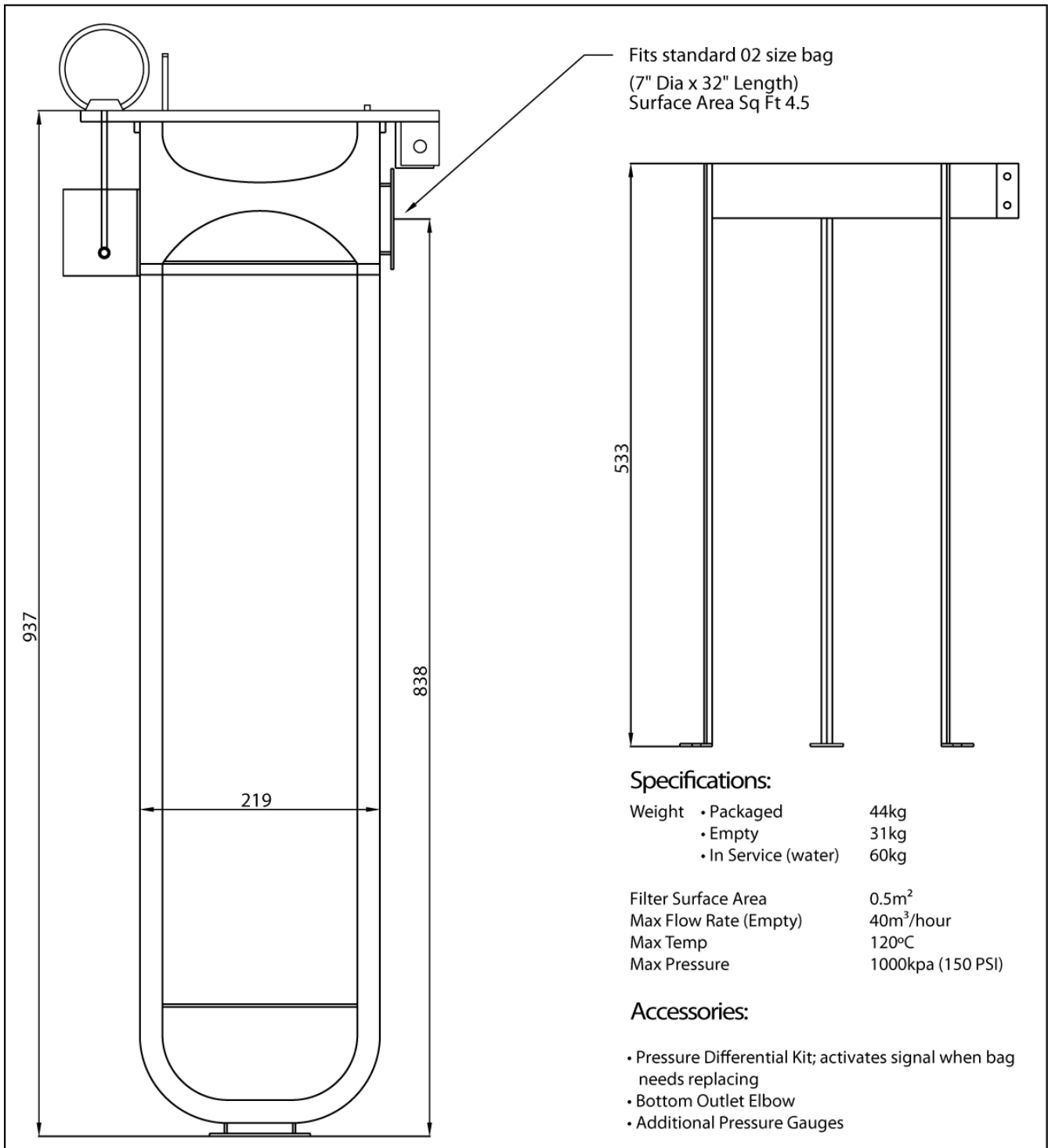
- Robust, durable 304 Stainless Steel construction.
- High flow rates – up to 40m³/hour. Higher flow rates can be achieved by manifolding multiple vessels.
- Standard 50mm (2") BSP connections.
- Swing bolt closures allow quick and easy change of filter bags.
- Uses industry standard O2 size filter bags.
- Wide range of filter bag types rated from 0.5 – 800 micron available to provide low-cost processing of water, chemicals, beverages, oils, paints and other liquids.
- Units can be installed in parallel to allow continuance of flow during bag change-out, or in series to allow finer filtration to be achieved through a number of stages.



Rev:9 Oct 2008. Subject to change without notice.

Standard features:

- High Polish 304 Grade Stainless Steel
- Includes Stainless Steel Stand
- Fits O2 Size Filter Bags 7" Dia x 32" Long (180mmDia x 815mmLong)
- Side-in Inlet / Bottom-out Outlet 2" (50mm) BSP Female
- Swing bolt cover closures
- Positive Cover O-ring Seal
- Spring-loaded Bag Hold-down
- Pressure Gauge
- Vent Valve



Rev:9 Oct 2008. Subject to change without notice.